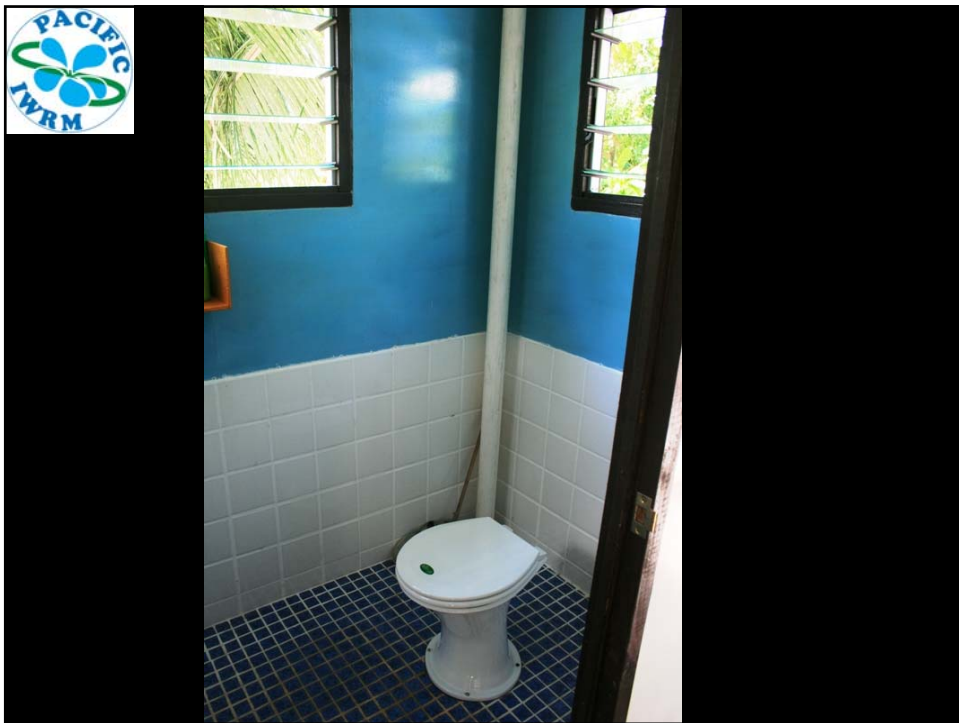




COMPOSTING TOILET

GEF Pacific IWRM 3rd Regional Steering Committee Meeting







Why?

- Water saving:
 - 10L / flush
 - 5 times per person per day
 - 6 to 8 people per house
 - 300 to 400 L/day
 - 10,000 L (2,200 Gallon) / 25 to 30 days
 - ~100,000 L per year per household
- Extra 50L per person per day!



Why?

- Pollution:
 - Organic Matter (BOD_5) ~ 50g/person/day
 - ~ 100 – 150 kg/year/household
 - Nitrogen ~ 15g/person/day
 - ~ 30 – 50 kg/year/household

<http://www.pacific-iwrn.org>



Why?



<http://www.pacific-iwrn.org>



Why?



<http://www.pacific-iwrn.org>



Why?



<http://www.pacific-iwrn.org>



What about?

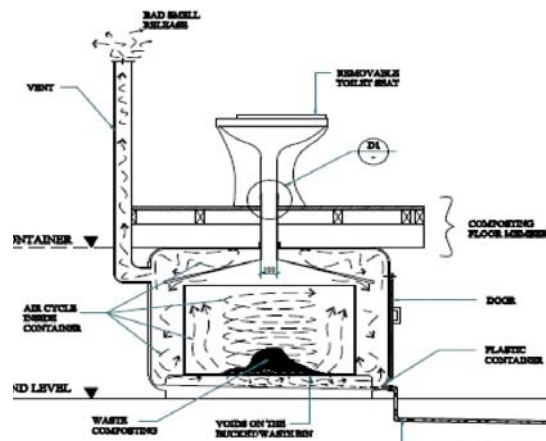
- Odours
- Aesthetics
- Emptying the Wastes
- Paper? Leaves? What do I wipe myself with?
- How do I use it?
- How do I clean it?
- What else do I need to do?

<http://www.pacific-iwrm.org>



Odours?

- Negative pressure



<http://www.pacific-iwrm.org>



Aesthetics?



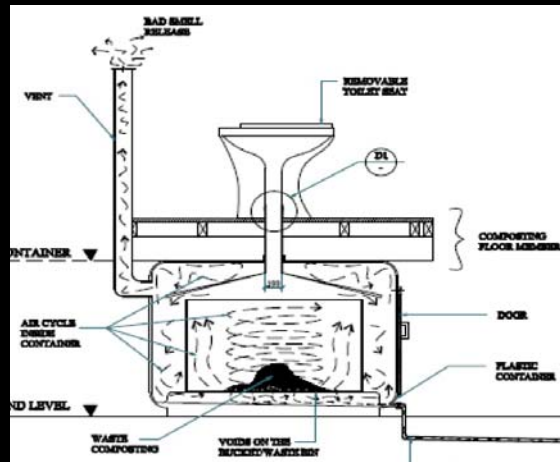
<http://www.pacific-iwrn.org>





Odours?

- Negative pressure



<http://www.pacific-iwrm.org>



Looking at my waste?



<http://www.pacific-iwrm.org>



Emptying the waste?



<http://www.pacific-iwrn.org>



Cleaning me?



<http://www.pacific-iwrn.org>



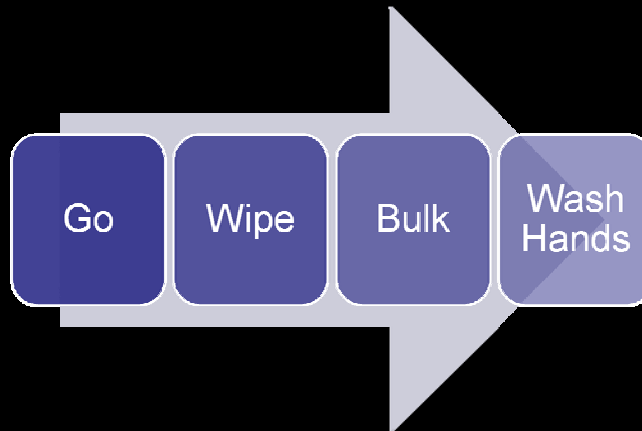
Cleaning it

- Small amount of water
- Scrub – just like a normal toilet

<http://www.pacific-iwrn.org>



How do I use it?



<http://www.pacific-iwrn.org>



What else do I need to do?

- See Challenges
- Make certain that someone will respond 24/7
- Be aware any problem (even bleach down the toilet) will be blamed on the toilet

<http://www.pacific-iwrm.org>



Challenges

- Engaging:
 - the community
 - engaging decision makers
 - Engaging Civil Society – often implementers
- Drainage:
 - Urine diversion
 - Drainage
 - Evaporation

<http://www.pacific-iwrm.org>



Challenges II

- Operational:
 - mounding
 - Sensitive
- Drainage:
 - Monitoring
- Other users less knowledgeable

<http://www.pacific-iwrn.org>



Costs?

- \$5,000AUD
 - \$2,500 Labour
 - \$2,000 Materials (\$500 - \$800 tiles)
 - \$500 Pedestal
- Possible? \$2,500?
 - \$1,000 Labour (can be free)
 - \$1,400 Materials
 - \$100 Pedestal

<http://www.pacific-iwrn.org>



Where to from here?

- How to assist evaluation?
- How to aid uptake and scaling up?
- What information is needed?
- What tools are needed?
- What about community sites?